

Exo_Chair

by Andrea Tognon

chair



description

material - finishing

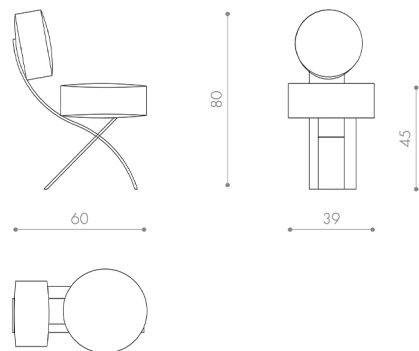
size

Exo_Chair is a seat distinguished by the intersection of two metal silhouettes in satin-finished stainless steel on which two soft cushions in Giungla nubuck rest in contrast. The textural contrast and compact shape make it ideal for both dining and living environments.

^ Satin stainless-steel with Giungla nubuck upholstery



L39 W60 H80



Category chair

Packaging size 51 x 71 x h 94 cm