

Pina

by Gregory Beson

armchair



description

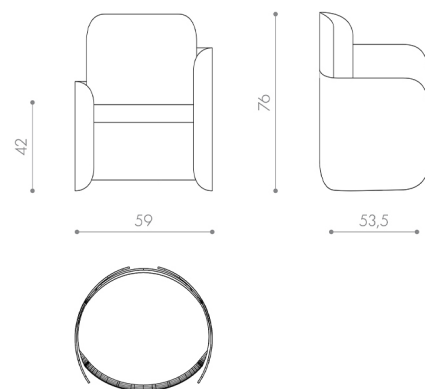
material - finishing

size

Pina chair consists of a wraparound metal shell in iron with a matte slate finish and a round seat in polished walnut. Inspired by choreographer Pina Bausch, thanks to the complementary use of materials with contrasting perceptions, it is particularly versatile; suitable both as a chair in dining spaces and as an armchair in living spaces.

^ Iron structure with matte slate finish and walnut seat

L59 W53,5 H76



Category armchair

Packaging size 69 x 57 x h 96 cm